

## EUROPEAN CERTIFICATIONS CE CERTIFICATE OR EUROPEAN CONFORMITY EVALUATION.

In order to legally sell a product within the European Union a manufacturer, importer or distributor must guarantee that his product is safe and meets all safety standards imposed by the European Union. These actors have to make relevant test to ensure that their products meet these mandatory requirements imposed by the European Union and, if applicable, the corresponding national legislation. They must elaborate the regulatory technical documentation and keep it available to the relevant authorities. They must draft the Declaration of Conformity and label their products according to the applicable legislation. They must report their properties, content, possible warnings and known risks as well as include the CE Mark logotype (if applicable). This process is known as CE Marking, European certification, CE Certificate or European Conformity Evaluation.



For more information visit  
[WWW.SUPREME-PRODUCTS.COM](http://WWW.SUPREME-PRODUCTS.COM)

EUROPEAN CERTIFICATIONS

## SUPREME OPTIC SERIES 1000W 240V DIMMABLE HPS LIGHT - TECHNICAL SPECIFICATION

Input voltage : 240V +/- 10%  
Rated power : 1045 Watt  
Dimming steps: 600-750-825-1000-1150W  
Frequency : 50/60 Hz  
Current : 4,4A@240V/1000W / pf >0,98

### OPTIC SERIES

- ELECTRONIC DRIVER
- HIGH EFFICIENCY >95%
- ADJUSTABLE POWER
- MANUAL SOFT DIMMING
- SURGE PROTECTION

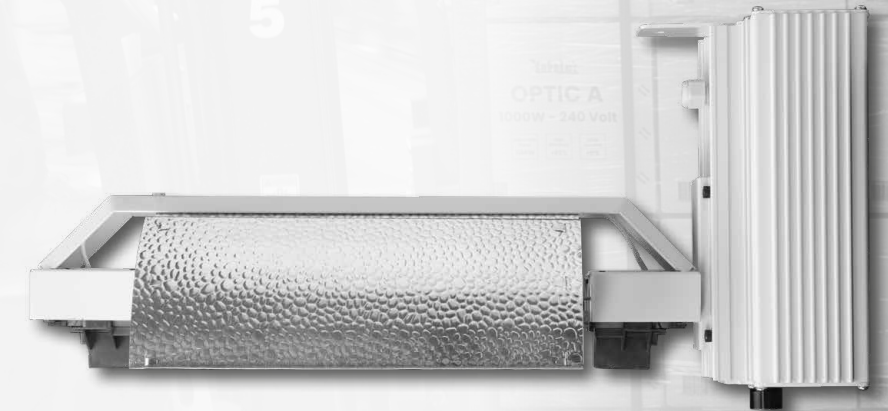


THE TRAILBLAZER IN HORTICULTURE PRODUCTS.

SUPREME LIGHTING



## SUPREME OPTIC SERIES 1000W 240V DIMMABLE HPS LIGHT



THE TRAILBLAZER IN  
HORTICULTURE PRODUCTS.



# SUPREME OPTIC A

## 1000W 240V DIMMABLE HPS LIGHT

### - MANUAL 6-STEP DIMMING

Introducing the Supreme Optic A - a robust 1000W light fixture inclusive a high-intensity lamp. A quintessential equipment for professional grower, this fixture promises peak photosynthesis through superior illumination. It guarantees exceptional yield in both the vegetative and flowering stages. The Supreme Optic A is not only energy-efficient but also compact, durable and designed with sophisticated growing operations in mind.

#### Operating / Electrical parameters

Input voltage Range (AC)	216 V~264 V
Input frequency	50/60 Hz
Input current operating	4.4 A/5.0 A
Inrush current Peak	≤ 40 A
Line current Harmonics (THD)	≤ 10%@240 V
Power factor	≥ 0.98@240 V
Operating frequency	≥ 100 kHz (at nominal power and input voltage)
Efficiency	≥ 94% (at nominal power and input voltage)

#### System power

Input power	1050 W
Lamp power	1000 W
Rated lamp power (tolerance)	1000 W (±3%)

#### Controllability

Control knob for manual dimming	Yes
---------------------------------	-----

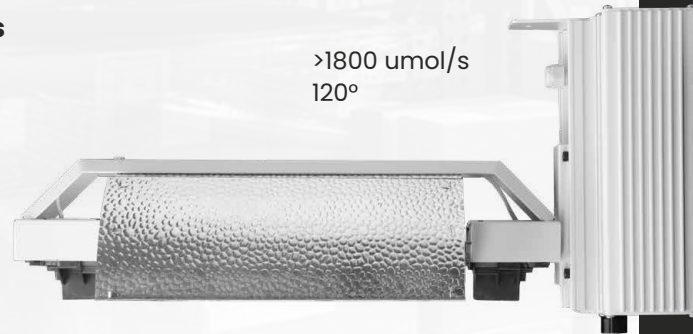
#### Connector

Input connector	1,5 meter hardwired power cable with EU plug
Lamp holder	Plastic

#### Optical parameters

PPF (400-700nm)	>1800 umol/s
Beam angle	120°

**PLASTIC  
LAMPHOLDER**



SUPREME OPTIC A 1000W 240 VOLT.

# SUPREME OPTIC C

## 1000W 240V DIMMABLE HPS LIGHT

### - CERAMIC LAMPHOLDER, MANUAL 6-STEP DIMMING

The Supreme Optic C, featuring ceramic lamp holders. The ceramic lamp holders provide a significant advantage, primarily due to their heat resistance capabilities ensuring fixture longevity. Elegantly compact and constructed for long-lasting operation, the Supreme Optic C remains to be energy-efficient, ensures excellent lighting, and caters to a sophisticated growing operation. A powerful fixture that provides optimal light coverage, ensuring indoor plants receive the high-intensity lighting they need for lush, vigorous growth and flower.

#### Operating / Electrical parameters

Input voltage Range (AC)	216 V~264 V
Input frequency	50/60 Hz
Input current operating	4.4 A/5.0 A
Inrush current Peak	≤ 40 A
Line current Harmonics (THD)	≤ 10%@240 V
Power factor	≥ 0.98@240 V
Operating frequency	≥ 100 kHz (at nominal power and input voltage)
Efficiency	≥ 94% (at nominal power and input voltage)

#### System power

Input power	1050 W
Lamp power	1000 W
Rated lamp power (tolerance)	1000 W (±3%)

#### Controllability

Control knob for manual dimming	Yes
---------------------------------	-----

#### Connector

Input connector	1,5 meter hardwired power cable with EU plug
Lamp holder	Ceramic

#### Optical parameters

PPF (400-700nm)	>1800 umol/s
Beam angle	120°

**CERAMIC  
LAMPHOLDER**



SUPREME OPTIC C 1000W 240 VOLT.

# SUPREME OPTIC PRO

## 1000W 240V DIMMABLE HPS LIGHT

### - DIMMABLE WITH CONTROLLER 0-10V

The Supreme Optic Pro - a cutting-edge 1000W HPS light fixture with an control function 0/10V for an external controller. Compact, durable, the Supreme Optic Pro is an evolution in indoor growing technology. Powerful performance, energy-efficient, striking the perfect balance between high intensity lighting and conservation of energy. The 0/10V control allows for smooth dimming. This enables you to set up your lighting system according to the specific needs of your plants at different growth stages, promoting maximum growth potential and yield. Experience the power of control with the Supreme Optic Pro.

#### Operating / Electrical parameters

Input voltage Range (AC)	216 V~264 V
Input frequency	50/60 Hz
Input current operating	4.4 A/5.0 A
Inrush current Peak	≤ 40 A
Line current Harmonics (THD)	≤ 10%@240 V
Power factor	≥ 0.98@240 V
Operating frequency	≥ 100 kHz (at nominal power and input voltage)
Efficiency	≥ 94% (at nominal power and input voltage)

#### System power

Input power	1050 W
Lamp power	1000 W
Rated lamp power (tolerance)	1000 W (±3%)

#### Controllability

RJ12 socket for 0-10V dimming	Yes
Control knob for manual dimming	Yes

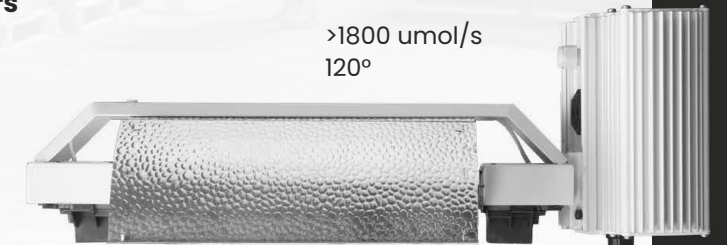
#### Connector

Input connector	Power cable with EU plug
Lamp holder	Plastic

#### Optical parameters

PPF (400-700nm)	>1800 umol/s
Beam angle	120°

**DIMMABLE  
WITH  
CONTROLLER**



SUPREME OPTIC PRO 1000W 240 VOLT.

THE TRAILBLAZER IN HORTICULTURE PRODUCTS.

WWW.SUPREME-PRODUCTS.COM

THE TRAILBLAZER IN HORTICULTURE PRODUCTS.